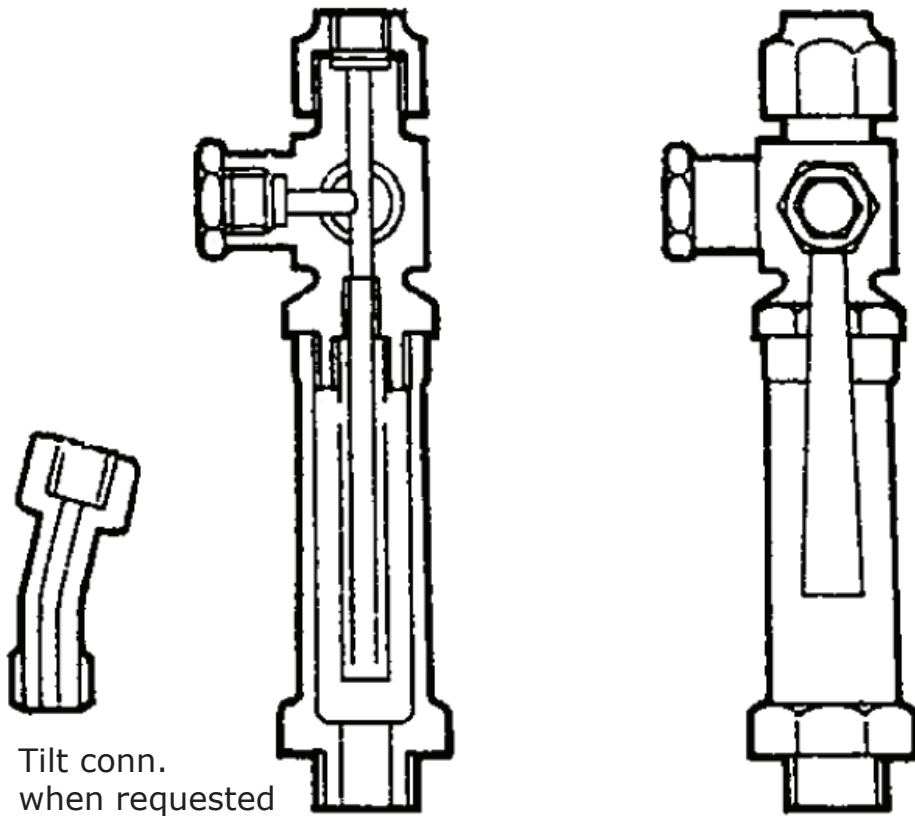




Bronze Pillar Syphon Series 534



The Syphon fits on the top Water Gauge Column.
Cast Bronze Body with Fluorosint Sleeve
Packed Cock. A Differential Nut is employed for the fitting of
the Pressure Gauge enabling it to be tightened in any position.
An Inspector's Test Connection is provided to suit Test Gauge
Tapped $\frac{3}{8}$ BSP and fitted with a Screwed Plug.